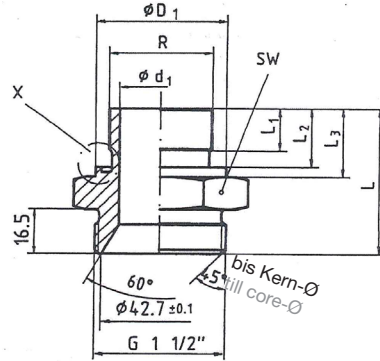


Abdichtung durch Profildichtring nach DIN 3869
sealing by shape sealing according to DIN 3869

Einzelheit X
detail X



Freistich Form E nach DIN 3852
recess form E according to DIN 3852



	Abmessungen in mm dimensions in mm							
	R	SW	L	L1	L2	L3	d1	D1
S7022412	3/4"	50	44,5	12	16	19,0	18	31,9
S7022416	1"	50	46,5	13	18	21,0	24	39,9
S7022420	1 1/4"	50	48,5	15	20	23,0	30	49,9
S7022424	1 1/2"	55	50,5	17	22	25,0	24	54,9
S7022432	2"	70	60,5	19	24	27,5	36	69,0

Werkstoff:
Stahl, verzinkt

Description:
steel, galvanised